

»multifix« series

Four-way manifolds, wide design.

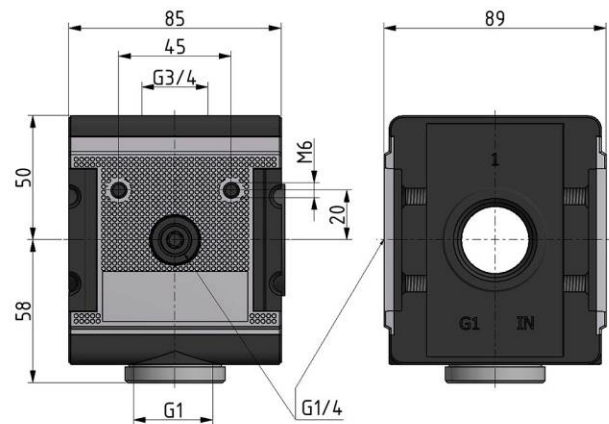
Max. input pressure:	16 bar
Max. medium temperature:	60 °C
Max. ambient temperature:	60 °C
Sealant:	NBR
Flow rate measurement:	At $P_1 = 6$ bar and pressure drop $\Delta p = 1$ bar

Manifold - wide design

Art. No.	Type No.	Thread	Outlet	Housing	Flow rate l/min	Size
133132	T 45	G 1	2 x 1/4, 1 x 3/4, 1 x 1	Die-cast aluminium	18000	4

Accessories / spare parts

Art. No.	Type No.	Description
135858	ZW 45	Mounting bracket with 2 screws
135857	KP 45	Coupler pack for modular assembly of several devices



symbol

